

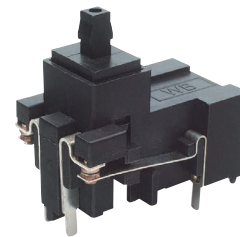


Feature :

Use together with electricity leak sensor to make the circuit break

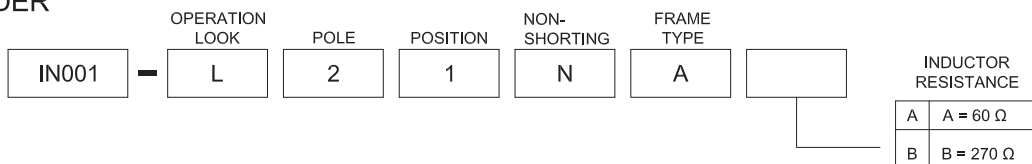
Application :

Outdoor application
Power strip
Outdoor machine



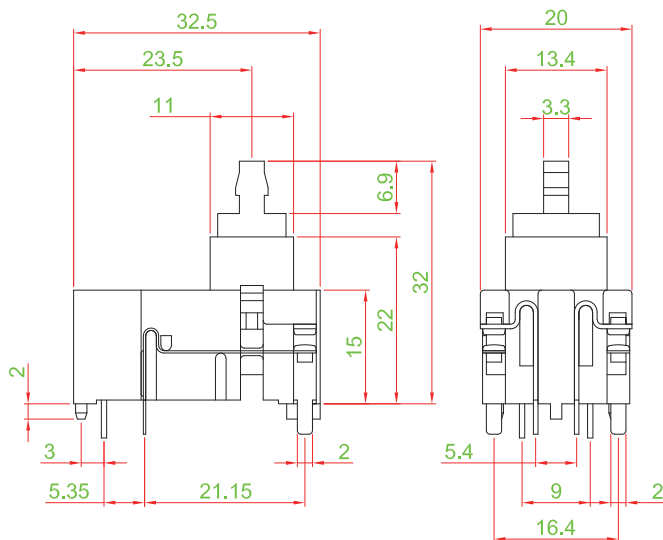
SWITCH SPECIFICATIONS	
POLE - POSITION	2P1T , LOCK Type
CONTACT RATING	125 V AC , 15 A
CONTACT RESISTANCE	30 mΩ MAX. 5 V DC ; 1 A ; by Method of Voltage DROP
INSULATION RESISTANCE	1,000 MΩ MIN. 500 V DC for 1 minute
DIELECTRIC STRENGTH	Breakdown is not Allowable ; 500 V AC for 1 Minute
OPERATING LIFE	6,000 cycles
OPERATING TEMPERATURE RANGE	-40°C ~ 85°C

▶ HOW TO ORDER



▶ DIMENSION

IN001 - L21NAA



▶ CIRCUIT

