



TACT SWITCH

PUSH BUTTON SWITCH

LED TOUCH SENSOR SWITCH

5 DIRECTION NAVIGATION SWITCH WITH LED

MEMBRANE SWITCH

LED LIGHT BAR

SLIDE SWITCH

ROTARY SWITCH

ROCKER SWITCH

DETECT SWITCH

ENCODER

INTERRUPTER

MINIATURE MICRO SWITCH

TELEPHONE HOOK SWITCH

DOOR SWITCH

MINI SIZE SOCKET

KNOB

CAP SYMBOL

### Feature :

- Failure detection/protection design
- Waterproof: IP53
- Customize symbol available
- Various lens designs available
- LED illumination distributed evenly on the cap surface

### Application :

- Automotive
- Start engine button

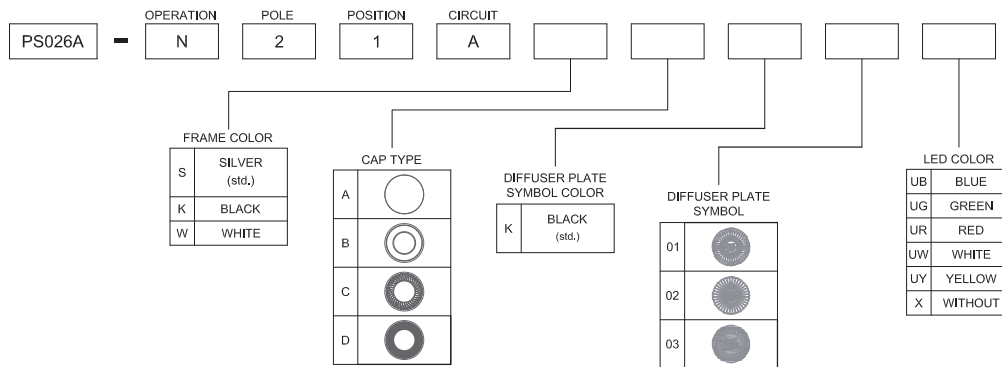


SWITCH SPECIFICATIONS	
POLE - POSITION	OFF - <ON> for Momentary Type , DPST
CONTACT RATING	0.2A 12V DC
CONTACT RESISTANCE	200Ω MAX.
INSULATION RESISTANCE	100 MΩ min. 100 V DC
DIELECTRIC STRENGTH	Breakdown is not Allowable ; 100 V AC for 1 Minute
OPERATING FORCE	650 ± 150 gf
OPERATING LIFE	100,000 cycles
OPERATING TEMPERATURE RANGE	-40°C ~ 85°C
TOTAL TRAVEL	2.0 ± 0.3 mm

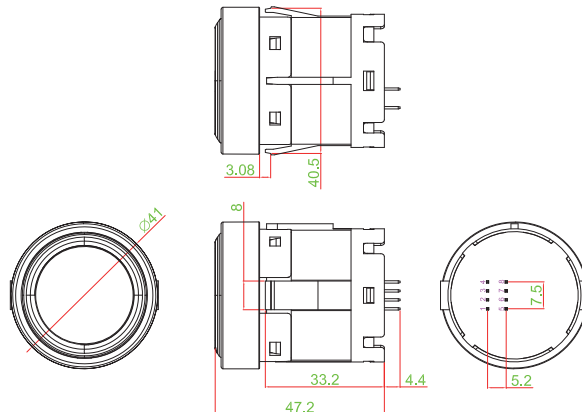
LED SPECIFICATIONS		Value / LED Color						
ATTENTION LEDs are Electrostatic Sensitive devices 	Unit	Value / LED Color						
		Blue 5mA	Pure Green	Red	Yellow	Orange	Green	White
LUMINOUS INTENSITY@20mA Iv	mcd	40	200	280	80	280	30	150
Dominant Wavelength λD	nm	470	525	630	590	630	568	/
FORWARD VOLTAGE@20mA Vf	V	3.3	3.3	1.95	2	1.95	2.2	2.2

■ A single bin cannot be ordered, please contact us in advance if you need a particular bin sorting before placing your order to clarify the lead time, MOQ and pricing

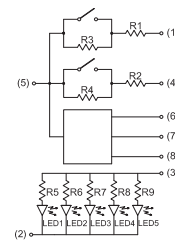
### ▶ HOW TO ORDER



### ▶ DIMENSION



### ▶ CIRCUIT



### ▶ PANEL CUT OUT

