



- TRACT SWITCH
- PUSH BUTTON SWITCH
- LED TOUCH SENSOR SWITCH
- 5 DIRECTION NAVIGATION SWITCH WITH LED
- MEMBRANE SWITCH
- LED LIGHT BAR
- SLIDE SWITCH
- ROTARY SWITCH
- ROCKER SWITCH
- DETECT SWITCH
- ENCODER
- INTERRUPTER
- MINIATURE MICRO SWITCH
- TELEPHONE HOOK SWITCH
- DOOR SWITCH
- MINI SIZE SOCKET
- KNOB
- CAP SYMBOL

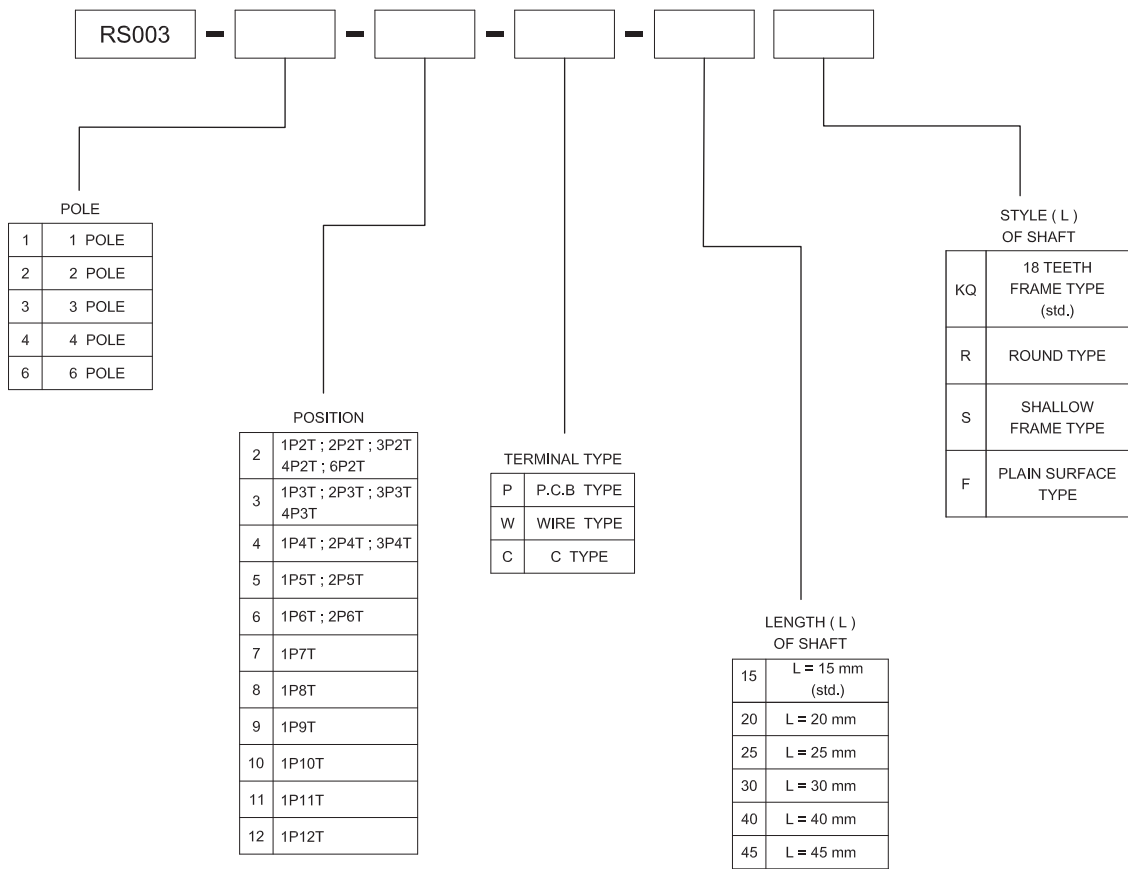
Feature :
Function selection of multi-position products
Signal selection of audios

Application :
Audio, public audio system



SWITCH SPECIFICATIONS	
POLE - POSITION	Function selection of multi-position products
CONTACT RATING	125 V AC , 0.3 A
CONTACT RESISTANCE	30 mΩ MAX. on DC 5V 1A Measured by Voltage Decreasing Method or Measured by 1 KHZ 2 mV MAX.
INSULATION RESISTANCE	100 MΩ MIN. 500 V DC for 1 minute
DIELECTRIC STRENGTH	Breakdown is not Allowable ; 500 V AC for 1 Minute
OPERATING FORCE	1.0 ± 0.5 kgf.cm
OPERATING LIFE	10,000 cycles
OPERATING TEMPERATURE RANGE	-40°C ~ 85°C

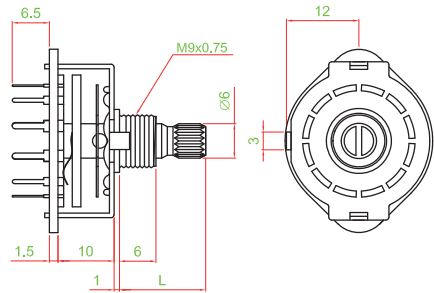
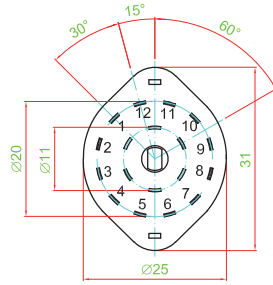
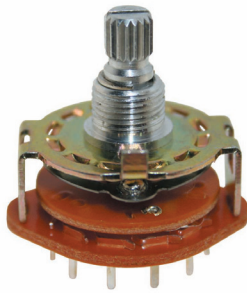
▶ HOW TO ORDER



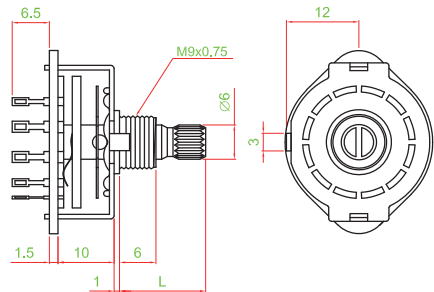
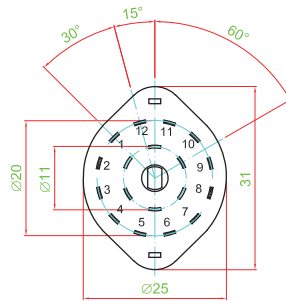
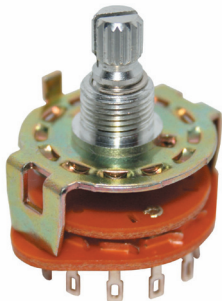


► DIMENSION

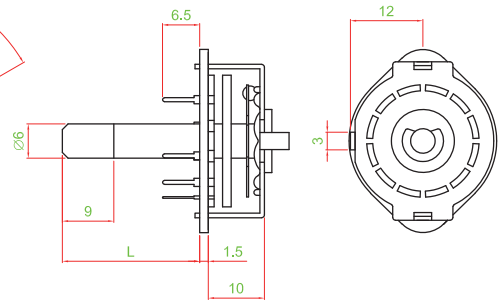
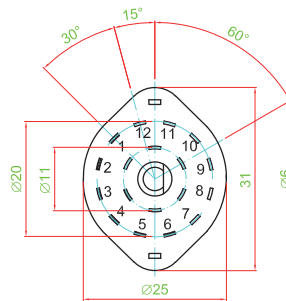
RS003 - 2 - 6 - P - □KQ



RS003 - 2 - 6 - W - □KQ

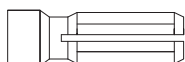


RS003 - 1 - 6 - C - □F



► SHAFT TYPE

KQ TYPE (18 TEETH FRAME)



R TYPE (ROUND)



S TYPE (SHALLOW FRAME)



F TYPE (PLAIN SURFACE)



TACT SWITCH

PUSH BUTTON SWITCH

LED TOUCH SENSOR SWITCH

5 DIRECTION NAVIGATION SWITCH WITH LED

MEMBRANE SWITCH

LED LIGHT BAR

SLIDE SWITCH

ROTARY SWITCH

ROCKER SWITCH

DETECT SWITCH

ENCODER

INTERRUPTER

MINIATURE MICRO SWITCH

TELEPHONE HOOK SWITCH

DOOR SWITCH

MINI SIZE SOCKET

KNOB

CAP SYMBOL