



**Feature :**


Rotary switch with center push function  
Bi-color LED illuminated available

**Application :**

Consumer products  
Audio / video products  
Instrumentation  
Communication equipments

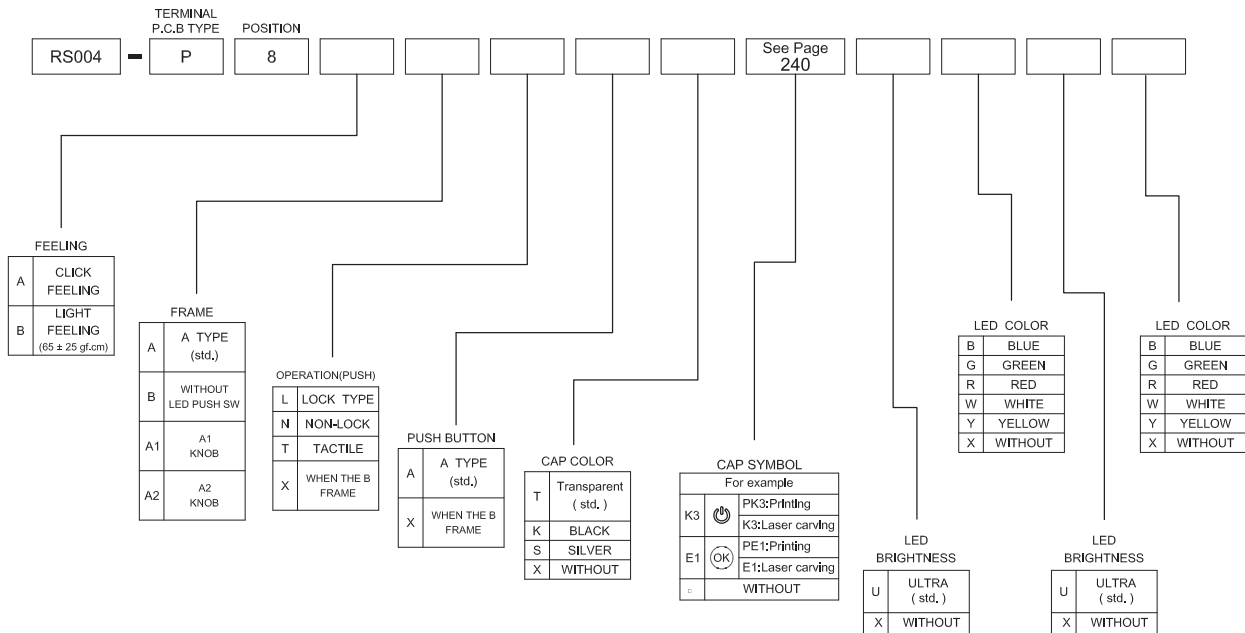


SWITCH SPECIFICATIONS	
POLE - POSITION	ROTARY SWITCH : 1P8T PUSH SWITCH : 1P2T or 2P2T
CONTACT RATING	30 V DC , 0.1A / 5V DC , 0.1mA
CONTACT RESISTANCE	200 mΩ MAX. 5 V DC ; 100 mA by Method of Voltage DROP
INSULATION RESISTANCE	100 MΩ MIN . 500 V DC for 1 minute
DIELECTRIC STRENGTH	Breakdown is not Allowable 100 V AC for 1 Minute
OPERATING FORCE	ROTARY SWITCH : 250 ±100 gf.cm PUSH SWITCH : 250 ±100 gf
OPERATING LIFE	20,000 cycles
OPERATING TEMPERATURE RANGE	-40°C ~ 85°C

LED SPECIFICATIONS								
ATTENTION LEDs are Electrostatic Sensitive devices  (+) (-)	Unit	Value / LED Color						
		Blue (5mA)	Pure Green	Red	Yellow	Orange	Green	White
LUMINOUS INTENSITY@20mA I <sub>v</sub>	mcd	25	180	200	200	250	55	250
Dominant Wavelength λ <sub>D</sub>	nm	470	525	630	590	601	567	/
FORWARD VOLTAGE@20mA V <sub>f</sub>	V	2.8	3.2	1.95	2	2.1	2.1	4

■ A single bin cannot be ordered, please contact us in advance if you need a particular bin sorting before placing your order to clarify the lead time, MOQ and pricing

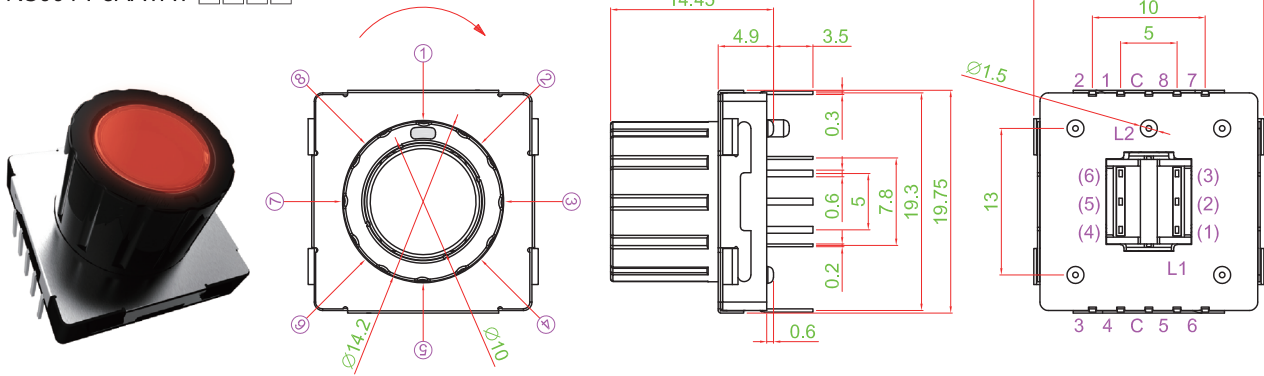
**▶ HOW TO ORDER**



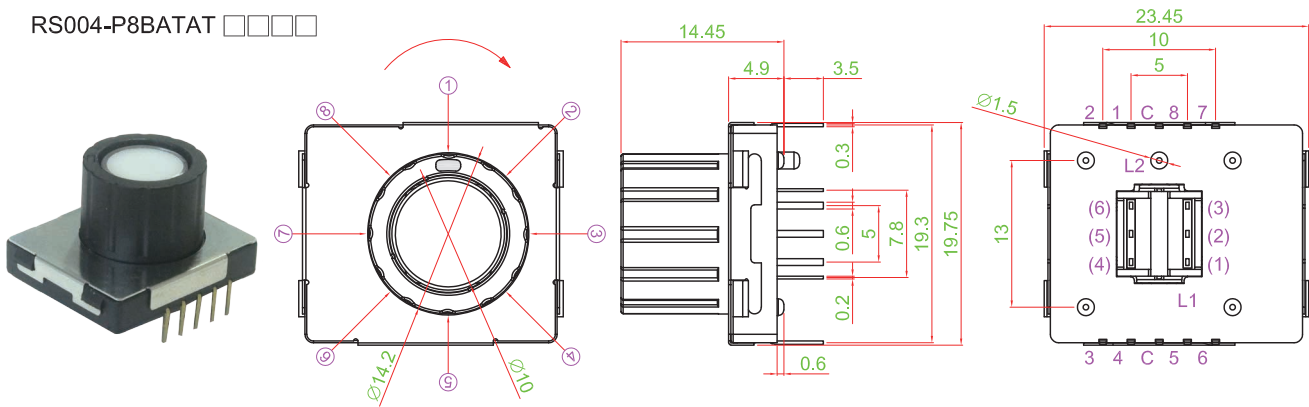


► DIMENSION

RS004-P8AATAT □□□□

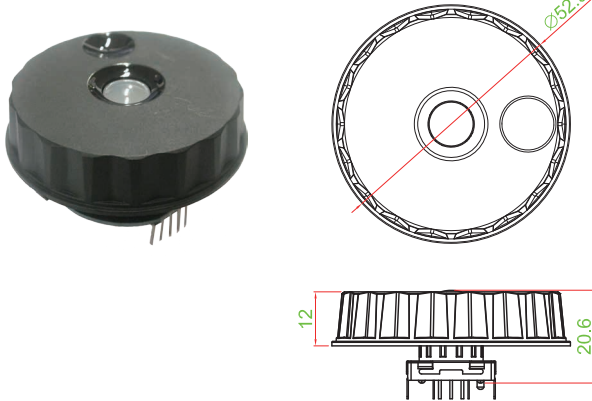


RS004-P8BATAT □□□□

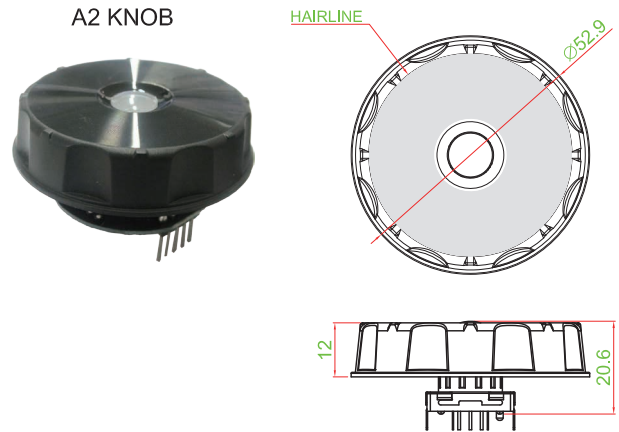


► FRAME

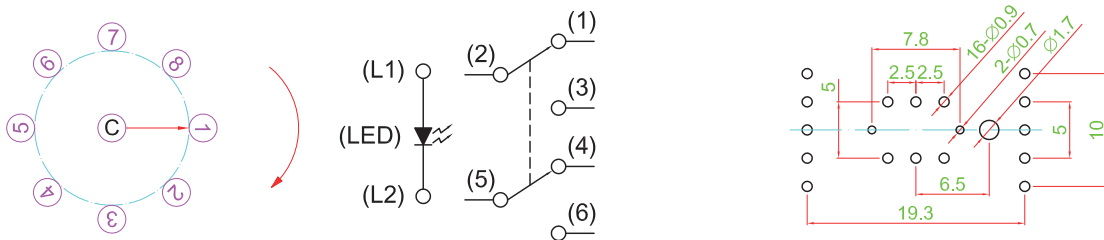
A1 KNOB



A2 KNOB



► CIRCUIT



TACT SWITCH

PUSH BUTTON SWITCH

LED TOUCH SENSOR SWITCH

5 DIRECTION NAVIGATION SWITCH WITH LED

MEMBRANE SWITCH

LED LIGHT BAR

SLIDE SWITCH

ROTARY SWITCH

ROCKER SWITCH

DETECT SWITCH

ENCODER

INTERRUPTER

MINIATURE MICRO SWITCH

TELEPHONE HOOK SWITCH

DOOR SWITCH

MINI SIZE SOCKET

KNOB

CAP SYMBOL