

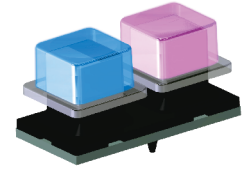


Feature :

- Touch Sensor option, tactile feedback operation with travel
- Long life operation, cost effective , dust proof
- Customer symbol , knob, PCB module set solution
- Easy assembly for production process
- Anti-light leakage design

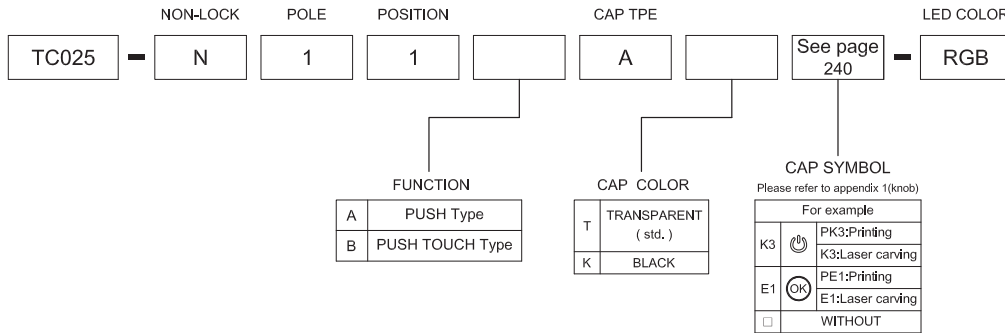
Application :

- Audio / video switchers
- Instrumentation
- Communication equipments



SWITCH SPECIFICATIONS	
POLE - POSITION	OFF - <ON> for Momentary Type , SPST
CONTACT RATING	100mA 12 VDC
CONTACT RESISTANCE	200 mΩ MAX.
INSULATION RESISTANCE	500 MΩ MIN. 500 V DC
DIELECTRIC STRENGTH	Breakdown is not Allowable ; AC 500V (50-60HZ) for 1 Minute
OPERATING FORCE	200 ± 100 gf
OPERATING LIFE	1,000,000 cycles MIN.
OPERATING TEMPERATURE RANGE	-40°C ~ 85°C
TOTAL TRAVEL	1.5 ± 0.3 mm

► HOW TO ORDER



- TACT SWITCH
- PUSH BUTTON SWITCH
- LED TOUCH SENSOR SWITCH
- 5 DIRECTION NAVIGATION SWITCH WITH LED
- MEMBRANE SWITCH
- LED LIGHT BAR
- SLIDE SWITCH
- ROTARY SWITCH
- ROCKER SWITCH
- DETECT SWITCH
- ENCODER
- INTERRUPTER
- MINIATURE MICRO SWITCH
- TELEPHONE HOOK SWITCH
- DOOR SWITCH
- MINI SIZE SOCKET
- KNOB
- CAP SYMBOL



TACT SWITCH

PUSH BUTTON SWITCH

LED TOUCH SENSOR SWITCH

5 DIRECTION NAVIGATION SWITCH WITH LED

MEMBRANE SWITCH

LED LIGHT BAR

SLIDE SWITCH

ROTARY SWITCH

ROCKER SWITCH

DETECT SWITCH

ENCODER

INTERRUPTER

MINIATURE MICRO SWITCH

TELEPHONE HOOK SWITCH

DOOR SWITCH

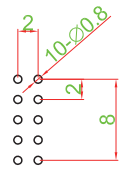
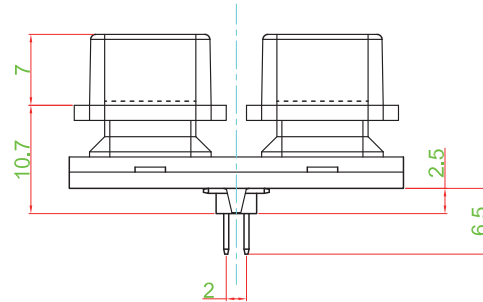
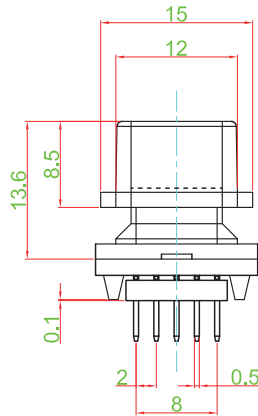
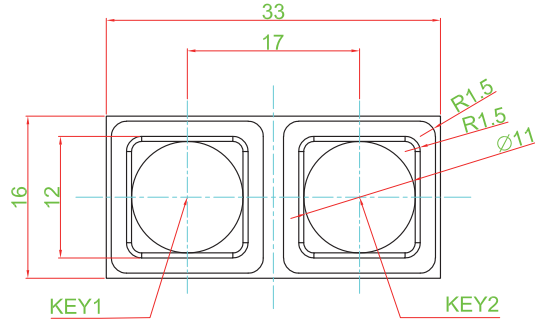
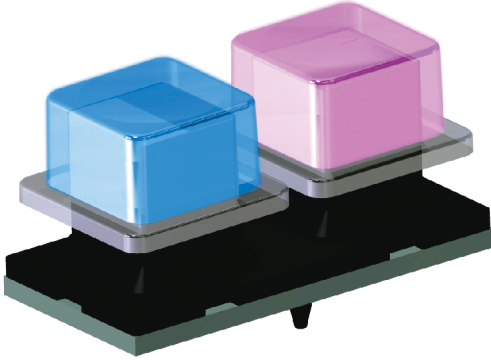
MINI SIZE SOCKET

KNOB

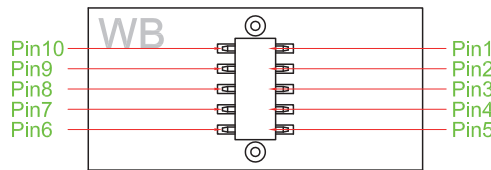
CAP SYMBOL

DIMENSION

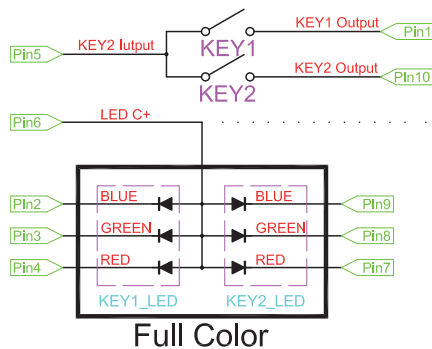
TC025 - N11AA□□-RGB



CIRCUIT

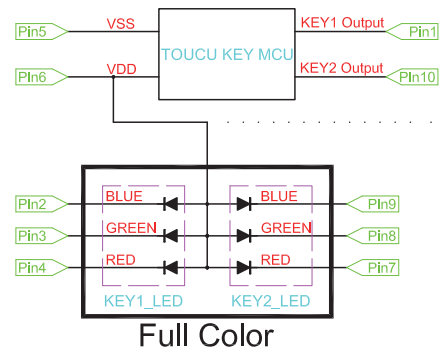


PUSH TYPE



Full Color

PUSH TOUCH TYPE



Full Color