



- TRACT SWITCH
- PUSH BUTTON SWITCH
- LED TOUCH SENSOR SWITCH
- 5 DIRECTION SWITCH WITH LED
- MEMBRANE SWITCH
- LED LIGHT BAR
- SLIDE SWITCH
- ROTARY SWITCH
- ROCKER SWITCH
- DETECT SWITCH
- ENCODER
- INTERRUPTER
- MINIATURE MICRO SWITCH
- TELEPHONE HOOK SWITCH
- DOOR SWITCH
- MINI SIZE SOCKET
- KNOB
- CAP SYMBOL

Feature :

- Output position : 16 or 32
- Touch mode : Fast sliding / slow sliding
- LED show : Single point / multipoint
- Touch contains vibration feedback
- Bend touch surface, auxiliary touch position

Application :

- Audio and video equipment
- Consumer products
- Computer products
- Communication equipment
- Household equipment
- industrial control

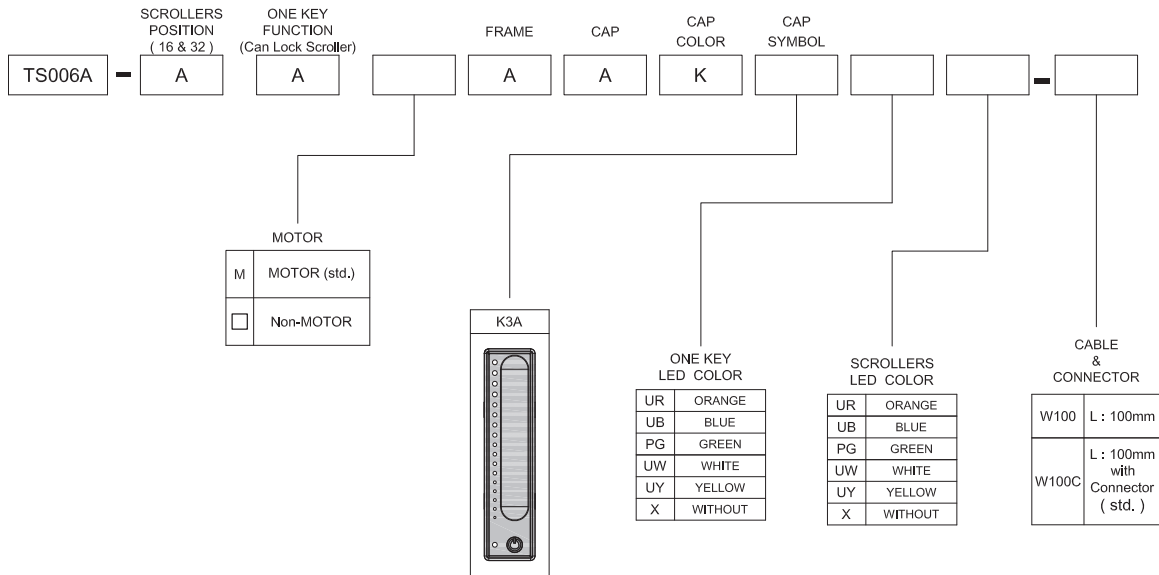


SWITCH SPECIFICATIONS							
POLE - POSITION		Two-Channel					
CIRCUIT FEATURE		Capacitive PWM signal					
OPERATING TEMPERATURE RANGE		-20°C ~ 70°C					
ELECTRICAL CHARACTERISTICS							
Symbol	Parameter	Test Conditions		MIN.	TYP.	MAX.	Units
		V _{DD}	Conditions				
V _{CC}	Input Voltage	-	-	0	-	24	V
V _{DD}	Operating Voltage	-	-	3.3	5.0	15	V
I _{DD}	Operating Voltage - No Load	3.3V	3.3V	-	2	3	mA
V _{OH}	Output High Voltage	3.3V	I _{OH} = - 4.0mA	2.97	-	-	V
V _{OL}	Output Low Voltage	3.3V	I _{OL} = 8.0mA	-	-	0.33	V
V _L	Input ports	3.3V	-	-	200	-	Hz

LED SPECIFICATIONS								
ATTENTION LEDs are Electrostatic Sensitive devices 	Unit	Value / LED Color						
		Blue	Pure Green	Red	Yellow	Orange	Green	White
LUMINOUS INTENSITY@20mA I _v	mcd	60	450	220	150	253	50	300~1500
Dominant Wavelength λ _D	nm	465	525	630	590	601	570	/
FORWARD VOLTAGE@20mA V _f	V	3.3	3.3	1.95	2	2.1	2.1	3.3

■ A single bin cannot be ordered, please contact us in advance if you need a particular bin sorting before placing your order to clarify the lead time, MOQ and pricing

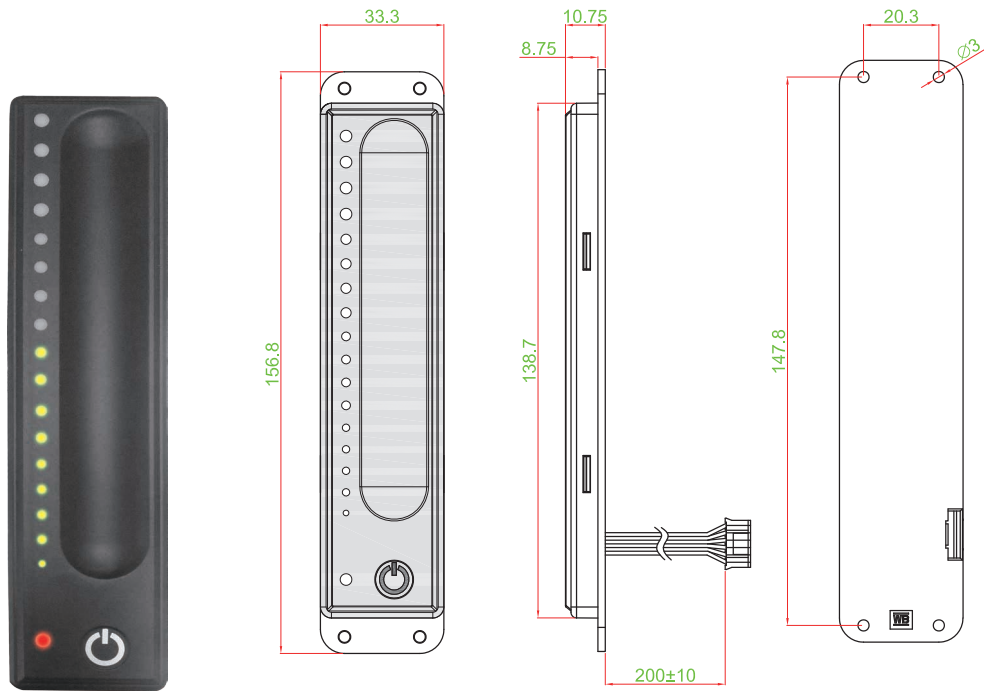
HOW TO ORDER



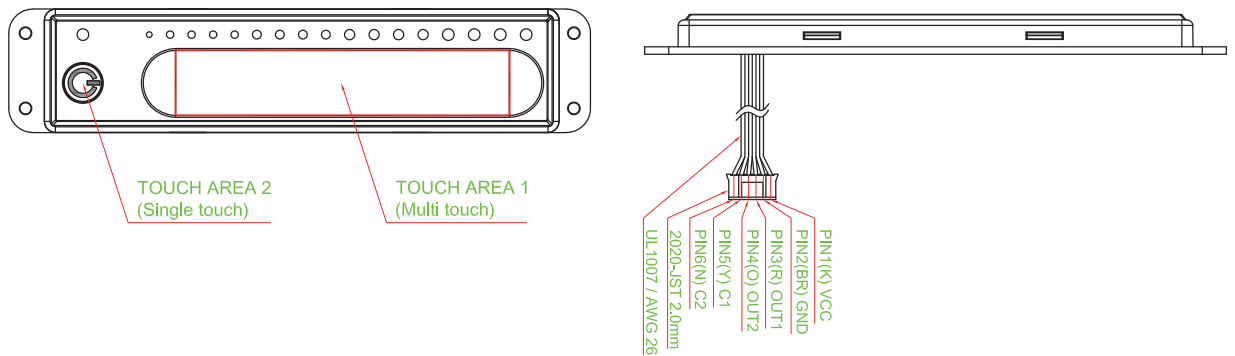


► DIMENSION & FRAME TYPE

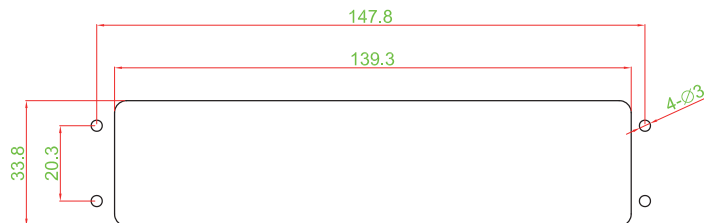
TS006A-AAMAAKK3AURPG-W200C



► CIRCUIT



► PANEL CUT OUT



TACT SWITCH

PUSH BUTTON SWITCH

LED TOUCH SENSOR SWITCH

5 DIRECTION NAVIGATION SWITCH WITH LED

MEMBRANE SWITCH

LED LIGHT BAR

SLIDE SWITCH

ROTARY SWITCH

ROCKER SWITCH

DETECT SWITCH

ENCODER

INTERRUPTER

MINIATURE MICRO SWITCH

TELEPHONE HOOK SWITCH

DOOR SWITCH

MINI SIZE SOCKET

KNOB

CAP SYMBOL